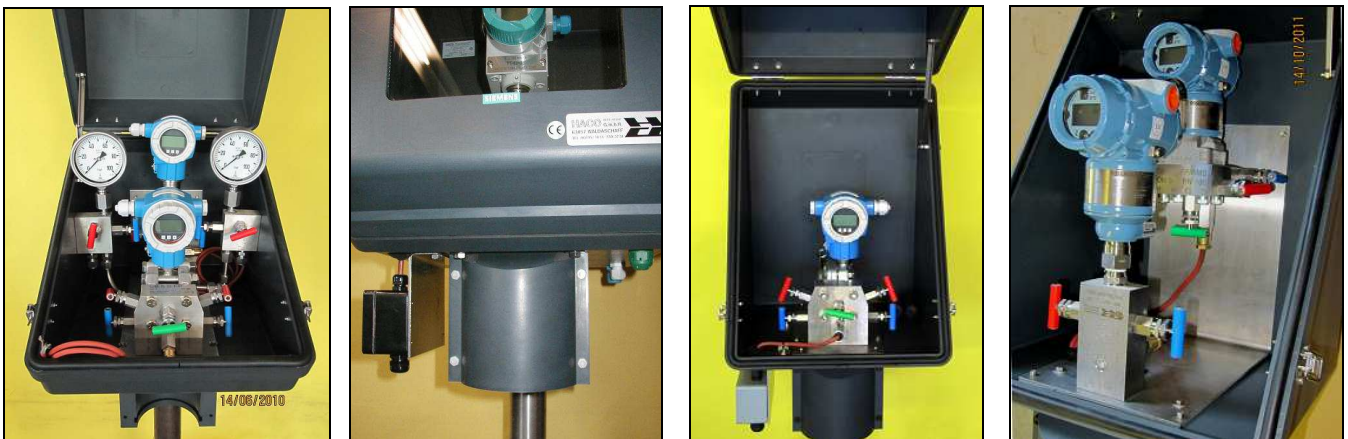


Superbox

INSTRUMENT ENCLOSURE READY TO INSTALL



BASIC DESCRIPTION

- mechanically moulded from PURSI using metal matching moulds
- surface with a satin gloss external and internal finish
- accuracy of panel thickness to $\pm 0,2$ mm ensuring correct mounting and alignment of instruments and ancillary equipment
- rigid enclosure joint interface is of increased section and reinforced (15mm min.), as well as with a high quality neoprene gasket
- hinges, toggle fasteners, tops and stays are from 316 SS and props have a positive over center action with integral stop / release flange
- protection classification to IP 65
- design temperature -50° until $+80^{\circ}\text{C}$
- non absorption of hydrocarbons
- resistant to most corrosive types of industrial environments, acids and alkalis
- impact resistant to BS 5501
- fire retardant according to DIN 4102 – B2
- standard colour dark grey for surface resistance $< 10\text{ M}\Omega$ to BS 5501, according to DIN EN 50 014

DIMENSION 500 (height) x 400 (depth) x 400 (width)

Standard types of *Superbox* according to FTZÚ 03 ATEX 0257X II 2G IIC T3, directive 94/9/EC, EN 1127-1:2011, EN 13463-1:2009

1) S3-1-2

Ex heated, with accessories for 2-way manifold
– see drawing example

2) S3-1-2-2

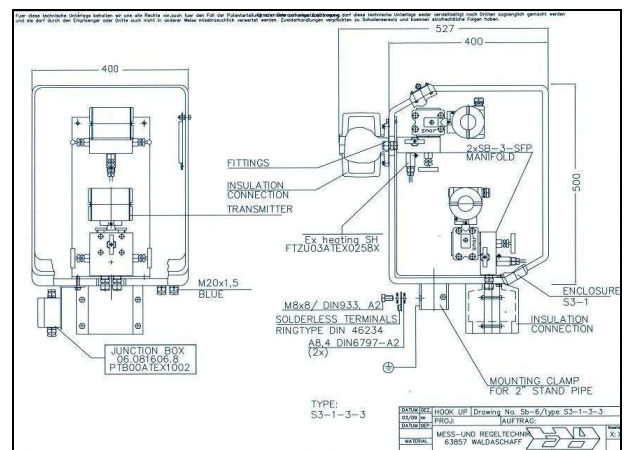
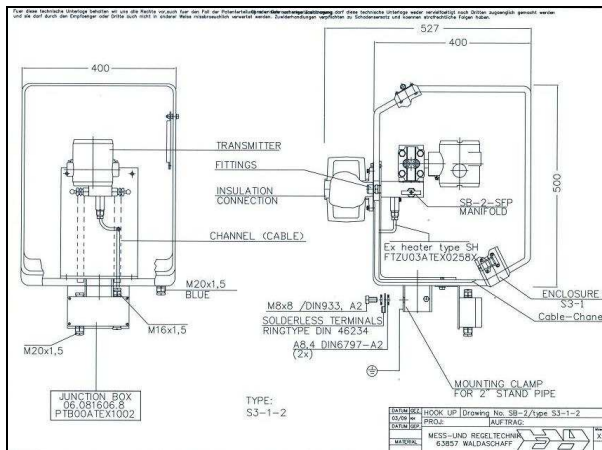
Ex heated, with accessories for 2x 2-way manifolds

3) S3-1-3

Ex heated, with accessories for 3-way manifold

4) S3-1-3-3

Ex heated, with accessories for 2x3-way manifolds
– see drawing example

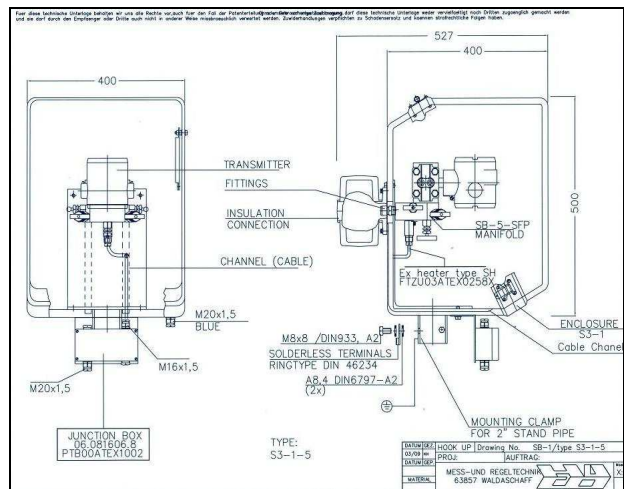


5) S3-1-5

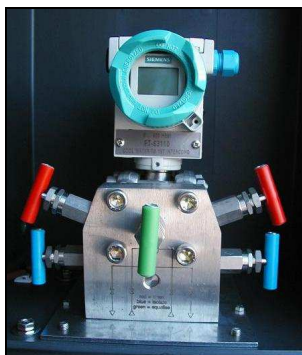
Ex heated, with accessories for 5-way manifold
– see drawing example

6) S3-1-5-5

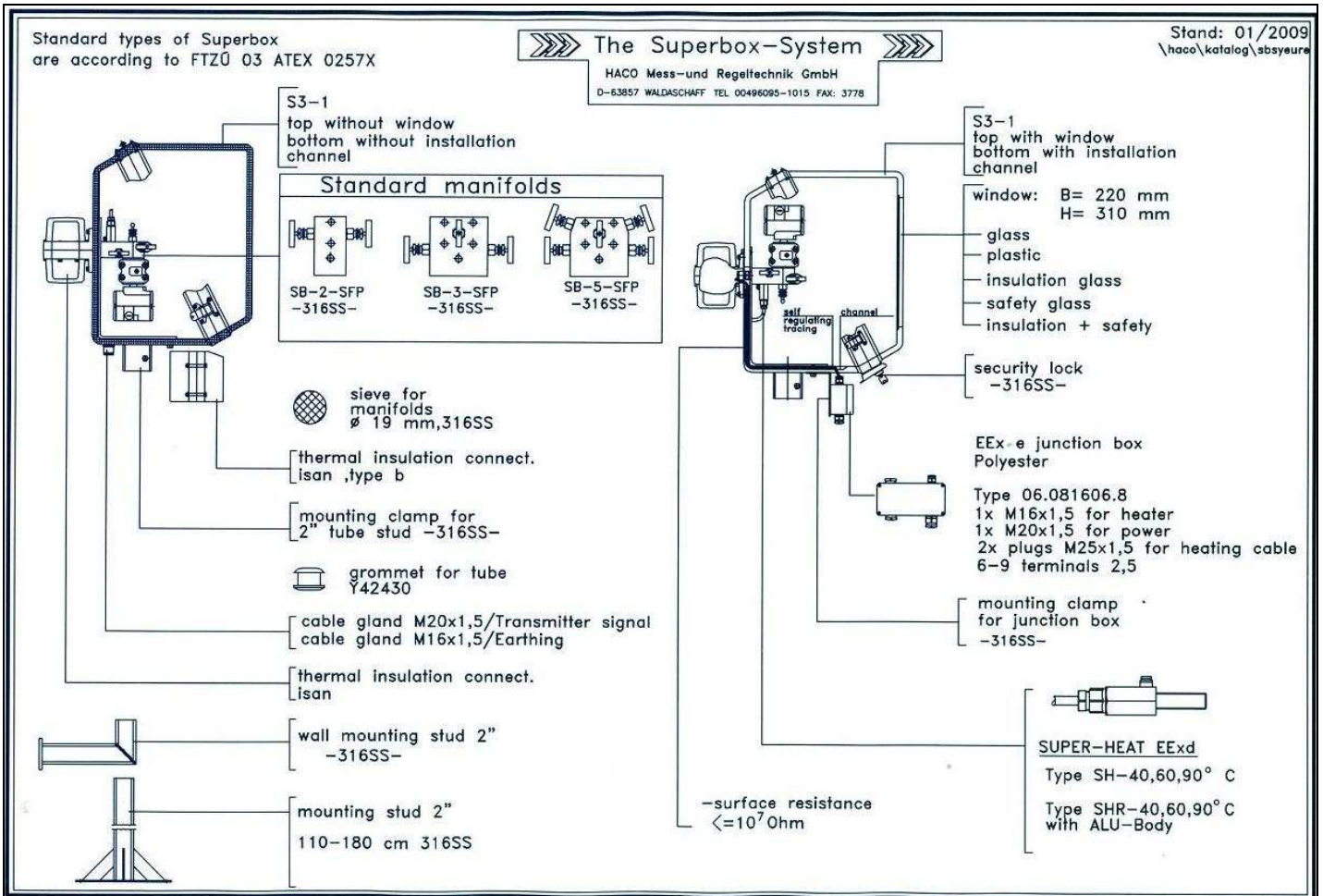
Ex heated, with accessories for 2x 5-way manifolds



OTHER SYSTEMS - ACCORDING TO YOUR INQUIRY – WE ARE VERY FLEXIBLE!



Standard Accessoires:



BOTTOM VIEW
ISAN B

2x ISAN B

Enclosure Exd Heater
2x type SHR with ALU body

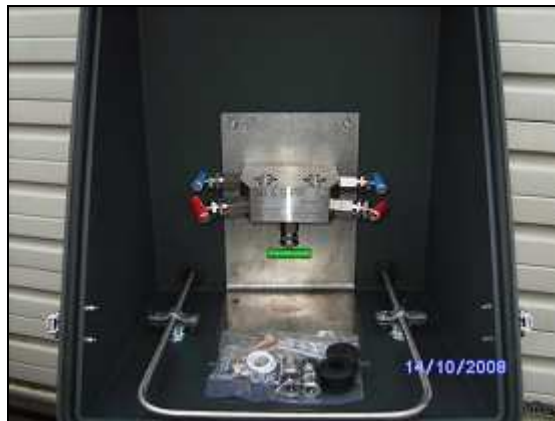
VIEW – outlet/inlet
for 5 way manifold "SB"



EXAMPLES OF MOUNTING ENCLOSURES



ENCLOSURE S3-1
For pressure transmitter
Mounting on bottom
Incl.
2 way manifold „SB“
Directly heated by Exd heater SH
For transmitter adaptor BFA ½“NPT



ENCLOSURE S3-1 for differential pressure transmitter
Mounting on the wall
incl. 5 way manifold type SB5SFP
Steam heating made from stainless steel (12mm)



ENCLOSURE S3-1 with window
for differential pressure transmitter
Mounting on the bottom
incl.5 way manifold type SB5SFP
directly heated by Exd heater SH



ENCLOSURE S3-1 with window
For pressure and differential pressure
Transmitter
Mounting:
Pressure on the bottom with 2-way manifold
DP on the wall with 5-way manifold
Manifolds are directly heated by Exd SH



ENCLOSURE S3-1 with window
for 2x pressure transmitters
Mounting on the bottom
2x 2 way manifold SB2
directly heated by Exd SH



ENCLOSURE S3-1 with window
Example for Emerson 3051CD and 3144P